

# DATA SHEET

## **NE/SA5234**

Matched quad high-performance  
low-voltage operational amplifier

Product data  
Supersedes data of 2001 Aug 03  
File under Integrated Circuits, IC11 Handbook

2002 Feb 22

# Matched quad high-performance low-voltage operational amplifier

NE/SA5234

## DESCRIPTION

The NE/SA5234 is a matched, low voltage, high performance quad operational amplifier. Among its unique input and output characteristics is the capability for both input and output rail-to-rail operation, particularly critical in low voltage applications. The output swings to less than 50 mV of both rails across the entire power supply range. The NE/SA5234 is capable of delivering 5.5 V peak-to-peak across a 600  $\Omega$  load and will typically draw only 700  $\mu$ A per amplifier. The bandwidth is 2.5 MHz and the 1% settling time is 1.4  $\mu$ s.

## FEATURES

- Wide common-mode input voltage range: 250 mV beyond both rails
- Output swing within 50 mV of both rails
- Functionality to 1.8 V typical
- Low current consumption: 700  $\mu$ A per amplifier
- $\pm 15$  mA output current capability
- Unity gain bandwidth: 2.5 MHz
- Slew rate: 0.8 V/ $\mu$ s
- Low noise: 25 nV/ $\sqrt{\text{Hz}}$
- Electrostatic discharge protection
- Short-circuit protection
- Output inversion prevention

## PIN CONFIGURATION

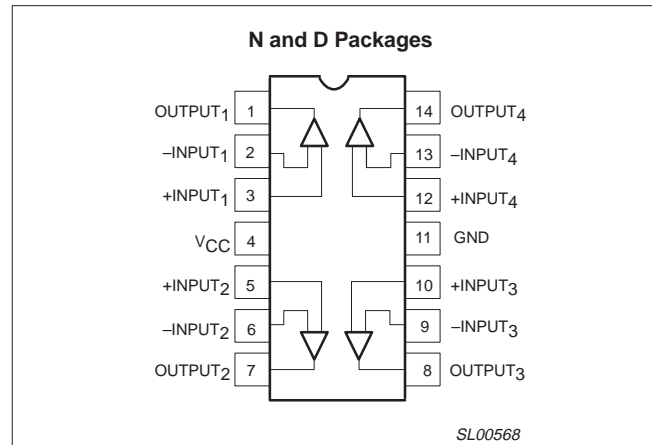


Figure 1. Pin configuration.

## APPLICATIONS

- Automotive electronics
- Signal conditioning and sensing amplification
- Portable instrumentation
  - Test and measurement
  - Medical monitors and diagnostics
  - Remote meters
- Audio equipment
- Security systems
- Communications
  - Pagers
  - Cellular telephone
  - LAN
  - 5 V Datacom bus
- Error amplifier in motor drives
- Transducer buffer amplifier

## ORDERING INFORMATION

| DESCRIPTION                               | TEMPERATURE RANGE | ORDER CODE | DWG #    |
|---|-------------------|------------|----------|
| 14-Pin Plastic Small Outline (SO) package | 0 °C to +70 °C    | NE5234D    | SOT108-1 |
| 14-Pin Plastic Dual In-Line Package (DIP) | 0 °C to +70 °C    | NE5234N    | SOT27-1  |
| 14-Pin Plastic Small Outline (SO) package | –40 °C to +85 °C  | SA5234D    | SOT108-1 |
| 14-Pin Plastic Dual In-Line Package (DIP) | –40 °C to +85 °C  | SA5234N    | SOT27-1  |

# Matched quad high-performance low-voltage operational amplifier

NE/SA5234

## ABSOLUTE MAXIMUM RATINGS

| SYMBOL        | PARAMETER   | RATING         | UNIT |
|---------------|---|----------------|------|
| $V_{CC}$      | Single supply voltage   | 7              | V    |
| $V_{ESD}$     | ESD protection voltage at any pin <sup>5</sup><br>human body model<br>robot model     | 2000           | V    |
|               |   | 200            | V    |
| $V_S$         | Dual supply voltage   | $\pm 3.5$      | V    |
| $V_{DP}$      | Voltage at any device pin <sup>1</sup>  | $V_S \pm 0.5$  | V    |
| $I_{DP}$      | Current into any device pin <sup>1</sup>  | $\pm 50$       | mA   |
| $V_{IN}$      | Differential input voltage <sup>2</sup>   | 0.5            | V    |
| $V_{CM}$      | Common-mode input voltage (positive)  | $V_{CC} + 0.5$ | V    |
| $V_{CM}$      | Common-mode input voltage (negative)  | $V_{EE} - 0.5$ | V    |
| $P_D$         | Power dissipation <sup>3</sup>  | 500            | mW   |
| $T_j$         | Operating junction temperature <sup>3</sup>   | +150           | °C   |
| $V_{SC}$      | Supply voltage allowing indefinite output short circuit to either rail <sup>3,4</sup> | 7              | V    |
| $T_{stg}$     | Storage temperature range   | -65 to +150    | °C   |
| $T_{slid}$    | Lead soldering temperature (10 sec max)   | +230           | °C   |
| $\theta_{JA}$ | Thermal impedance   |                |      |
|               | 14 pin Plastic DIP  | 80             | °C/W |
|               | 14 pin Plastic SO   | 115            | °C/W |

### NOTES:

- Each pin is protected by ESD diodes. The voltage at any pin is limited by the ESD diodes.
- The differential input of each amplifier is limited by two internal diodes, connected in parallel and opposite to each other. For more differential input range, use differential resistors in series with the input pins.
- The maximum operating junction temperature is +150 °C. At elevated temperatures, devices must be derated according to the package thermal resistance and device mounting conditions. Derates above +25 °C: N package at 9.5 mW/°C; D package at 6.25 mW/°C.
- Simultaneous short circuits of two or more amplifiers to the positive or negative rail can exceed the power dissipation ratings and cause eventual destruction of the device.
- Guaranteed by design.

## RECOMMENDED OPERATING CONDITIONS

| SYMBOL    | PARAMETER                            | RATING                | UNIT |
|-----------|--------------------------------------|-----------------------|------|
| $V_{CC}$  | Single supply voltage                | +2 to +5.5            | V    |
| $V_S$     | Dual supply voltage                  | $\pm 1$ to $\pm 2.75$ | V    |
| $V_{CM}$  | Common-mode input voltage (positive) | $V_{CC} + 0.25$       | V    |
| $V_{CM}$  | Common-mode input voltage (negative) | $V_{EE} - 0.25$       | V    |
| $T_{amb}$ | Temperature                          |                       |      |
|           | NE5234                               | 0 to +70              | °C   |
|           | SA5234                               | -40 to +85            | °C   |

# Matched quad high-performance low-voltage operational amplifier

NE/SA5234

## DC ELECTRICAL CHARACTERISTICS

 $V_{CC} = 2\text{ V to } 5.5\text{ V}; V_{EE} = 0\text{ V}; T_{amb} = 25\text{ }^{\circ}\text{C}; V_{EE} < V_{CM} < V_{CC};$  unless otherwise stated.

| SYMBOL                   | PARAMETER   | TEST CONDITIONS  | LIMITS        |           |               |               |           |               | UNIT                           |
|--------------------------|---|--|---------------|-----------|---------------|---------------|-----------|---------------|--------------------------------|
|                          |   |  | NE5234        |           |               | SA5234        |           |               |                                |
|                          |   |  | MIN           | TYP       | MAX           | MIN           | TYP       | MAX           |                                |
| $I_{CC}$                 | Supply current  | $V_{CC} = 5.5\text{ V}$  |               | 2.8       | 4.0           |               | 2.8       | 4.0           | mA                             |
|                          |   | $V_{CC} = 5.5\text{ V}$ over full temperature range                          |               | 3.0       | 4.6           |               | 3.2       | 4.8           |                                |
| $V_{OS}$                 | Offset voltage  |  |               | $\pm 0.2$ | $\pm 4$       |               | $\pm 0.2$ | $\pm 4$       | mV                             |
|                          |   | Over full temperature range  |               | $\pm 0.4$ | $\pm 5$       |               | $\pm 0.6$ | $\pm 5$       |                                |
| $\Delta V_{OS}/\Delta T$ | Offset voltage drift with temperature   |  |               | 4         |               |               | 4         |               | $\mu\text{V}/^{\circ}\text{C}$ |
| $\Delta V_{OS}$          | Offset voltage difference between any amplifiers in the same package at the same common mode level <sup>1</sup> |  |               | 0.4       | 3             |               | 0.4       | 3             | mV                             |
|                          |   | Over full temperature range  |               | 0.8       | 4             |               | 1.2       | 4             |                                |
| $I_{OS}$                 | Offset current  |  |               | $\pm 3$   | $\pm 20$      |               | $\pm 3$   | $\pm 30$      | nA                             |
|                          |   | Over full temperature range  |               | $\pm 4$   | $\pm 30$      |               | $\pm 6$   | $\pm 60$      |                                |
| $\Delta I_{OS}/\Delta T$ | Offset current drift with temperature   |  |               | 0.02      | $\pm 0.3$     |               | 0.03      | $\pm 0.3$     | nA/ $^{\circ}\text{C}$         |
| $I_B$                    | Input bias current <sup>1</sup>   | $V_{EE} < V_{CM} < V_{EE} + 0.5\text{ V}$                                    | -200          | -90       |               | -200          | -90       |               | nA                             |
|                          |   | Over full temperature range  | -225          | -100      |               | -250          | -150      |               |                                |
|                          |   | $V_{EE} + 1\text{ V} < V_{CM} < V_{CC}$                                      |               | 25        | 70            |               | 25        | 75            |                                |
|                          |   | Over full temperature range  |               | 35        | 100           |               | 35        | 120           |                                |
| $\Delta I_B/\Delta T$    | Input bias current drift with temperature   |  |               | 0.5       |               |               | 0.5       |               | nA/ $^{\circ}\text{C}$         |
| $\Delta I_B$             | Input bias current difference between any amplifier in the same package at the same common mode level.          | $V_{EE} < V_{CM} < V_{EE} + 0.5\text{ V}$                                    |               | 10        | 30            |               | 10        | 30            | nA                             |
|                          |   | Over full temperature range  |               | 25        | 50            |               | 50        | 70            |                                |
|                          |   | $V_{EE} + 1\text{ V} < V_{CM} < V_{CC}$                                      |               | 5         | 20            |               | 5         | 20            |                                |
|                          |   | Over full temperature range  |               | 15        | 30            |               | 25        | 50            |                                |
| $V_{CM}$                 | Common-mode input range   | $V_{OS} \leq 6\text{ mV}$  | $V_{EE}-0.25$ |           | $V_{CC}+0.25$ | $V_{EE}-0.25$ |           | $V_{CC}+0.25$ | V                              |
|                          |   | $V_{OS} \leq 6\text{ mV}$ over full temperature range                        | $V_{EE}-0.1$  |           | $V_{CC}+0.1$  | $V_{EE}-0.1$  |           | $V_{CC}+0.1$  |                                |
| CMRR                     | Common-mode rejection ratio, small signal   | $V_{EE} < V_{CM} < V_{EE}+0.5\text{ V}; V_{EE}+1\text{ V} < V_{CM} < V_{CC}$ | 80            | 100       |               | 90            | 100       |               | dB                             |
|                          |   | Over full temperature range  | 75            |           |               | 80            |           |               |                                |
|                          | Common-mode rejection ratio, large signal   | $V_{EE} < V_{CM} < V_{CC}$   | 65            | 90        |               | 65            | 100       |               |                                |
|                          |   | Over full temperature range  | 60            |           |               | 60            |           |               |                                |
| PSRR                     | Power supply rejection ratio  | $V_{EE} < V_{CM} < V_{CC}$   | 80            | 100       |               | 80            | 100       |               | dB                             |
|                          |   | Over full temperature range  | 80            | 90        |               | 80            | 90        |               |                                |
| $I_L$                    | Peak load current, sink and source  |  | 10            | 12        |               | 10            | 12        |               | mA                             |
|                          |   | Over full temperature range  | 5             | 8         |               | 5             | 8         |               |                                |

# Matched quad high-performance low-voltage operational amplifier

## NE/SA5234

### DC ELECTRICAL CHARACTERISTICS (Continued)

| SYMBOL             | PARAMETER   | TEST CONDITIONS                                       | LIMITS        |               |               |               |               |               | UNIT |
|--------------------|---|---|---------------|---------------|---------------|---------------|---------------|---------------|------|
|                    |   |   | NE5234        |               |               | SA5234        |               |               |      |
|                    |   |   | MIN           | TYP           | MAX           | MIN           | TYP           | MAX           |      |
| $A_{VOL}$          | Open-loop voltage gain  |   | 90            | 110           |               | 90            | 110           |               | dB   |
|                    |   | Over full temperature range                           |               | 90            |               |               | 90            |               |      |
| $V_{OUT}$          | Output voltage swing  | $I_{PEAK} = 0.1 \text{ mA}$                           | $V_{EE}+0.05$ |               | $V_{CC}-0.05$ | $V_{EE}+0.1$  |               | $V_{CC}-0.1$  | V    |
|                    |   | $I_{PEAK} = 10 \text{ mA}$                            | $V_{EE}+0.25$ |               | $V_{CC}-0.25$ | $V_{EE}+0.25$ |               | $V_{CC}-0.25$ |      |
|                    |   | $I_{PEAK} = 5 \text{ mA}$ over full temperature range | $V_{EE}+0.22$ |               | $V_{CC}-0.2$  | $V_{EE}+0.2$  |               | $V_{CC}-0.2$  |      |
|                    | Output voltage swing for $V_{CC} = 2.75 \text{ V}$ ; $V_{EE} = -2.75 \text{ V}$ | $R_L = 2 \text{ k}\Omega$                             | $V_{EE}+0.2$  |               | $V_{CC}-0.2$  | $V_{EE}+0.2$  |               | $V_{CC}-0.2$  | V    |
| $R_L = 600 \Omega$ |   | $V_{EE}+0.25$   |               | $V_{CC}-0.25$ | $V_{EE}+0.25$ |               | $V_{CC}-0.25$ |               |      |

**NOTE:**

- These parameters are measured for  $V_{EE} < V_{CM} < V_{EE}+0.5 \text{ V}$  and for  $V_{EE}+1 \text{ V} < V_{CM} < V_{CC}$ . By design these parameters are intermediate for common mode ranges between the measured regions.

### AC ELECTRICAL CHARACTERISTICS

$T_{amb} = +25 \text{ }^\circ\text{C}$ ;  $V_{CC} = 2 \text{ V}$  to  $5.5 \text{ V}$ ;  $R_L = 10 \text{ k}\Omega$ ;  $C_L = 100 \text{ pF}$ ; unless otherwise stated.

| SYMBOL     | PARAMETER                    | TEST CONDITIONS                         | LIMITS |     |     |           |     |     | UNITS                |
|------------|------------------------------|---|--------|-----|-----|-----------|-----|-----|----------------------|
|            |                              |   | NE5234 |     |     | SA/SE5234 |     |     |                      |
|            |                              |   | MIN    | TYP | MAX | MIN       | TYP | MAX |                      |
| SR         | Slew rate                    | Over full temperature range             | 0.5    | 0.8 |     | 0.5       | 0.8 |     | V/ $\mu\text{s}$     |
| BW         | Unity gain bandwidth: -3 dB  | Over full temperature range             | 2      | 2.5 | 4.0 | 2         | 2.5 | 4.0 | MHz                  |
| $\theta_M$ | Phase Margin                 | $C_L = 50 \text{ pF}$                   |        | 55  |     |           | 55  |     | deg                  |
| $t_S$      | 1% settling time             | $A_V = 1$ , 1 V step                    |        | 1.4 |     |           | 1.4 |     | $\mu\text{s}$        |
| $V_N$      | Input referred voltage noise | $A_V = 1$ ; $R_S = 0 \Omega$ , at 1 kHz |        | 25  |     |           | 25  |     | nV/Hz <sup>1/2</sup> |
| THD        | Total harmonic distortion    | 10 kHz, 1 V <sub>P-P</sub> , $A_V = 1$  |        | 0.1 |     |           | 0.1 |     | %                    |

### OUTPUT INVERSION PREVENTION

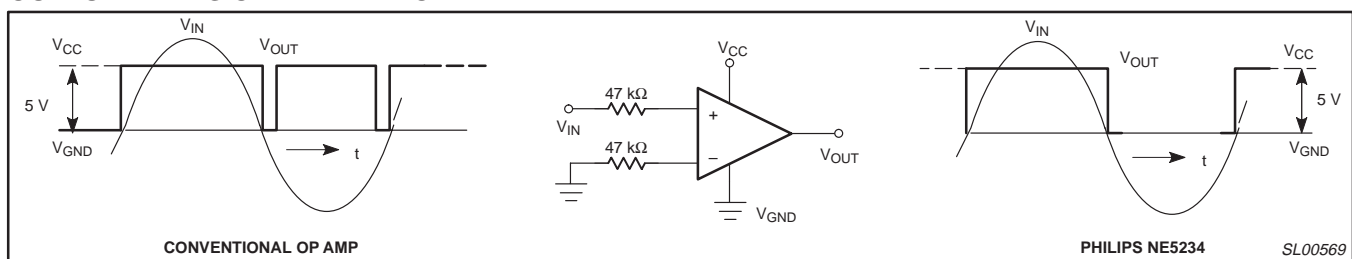


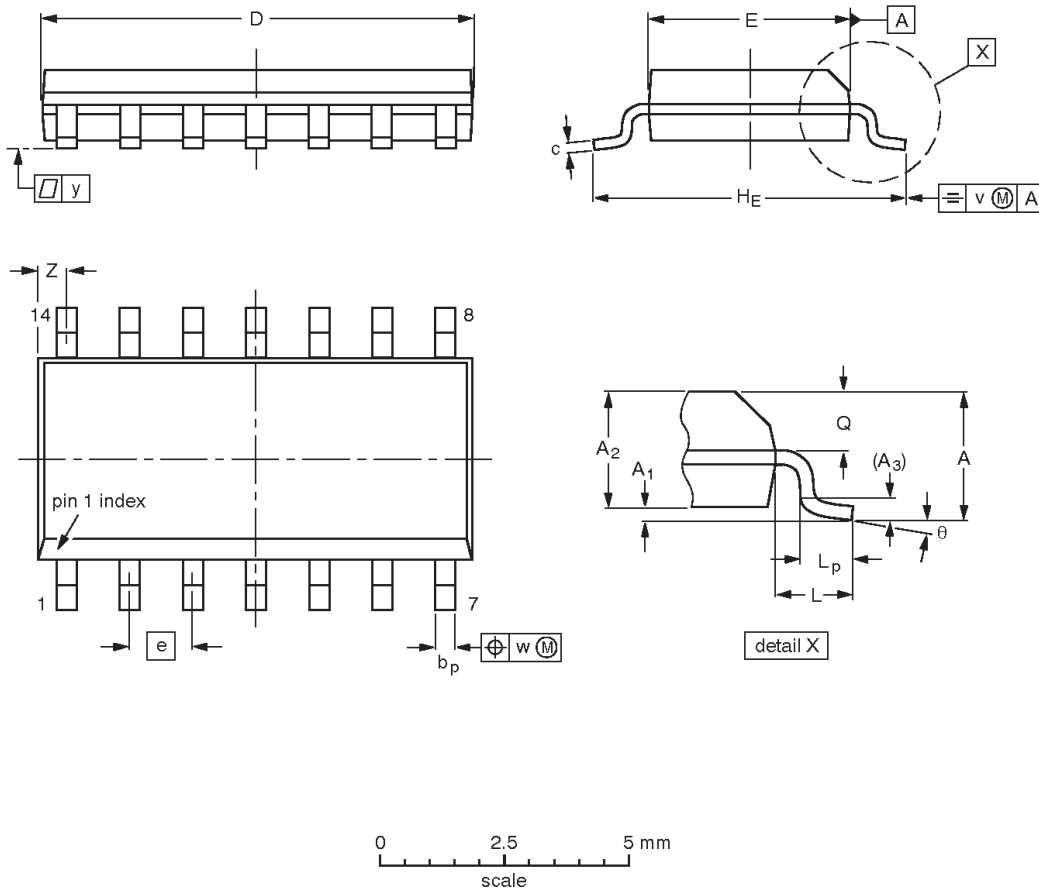
Figure 2. Output inversion prevention.

# Matched quad high-performance low-voltage operational amplifier

NE/SA5234

SO14: plastic small outline package; 14 leads; body width 3.9 mm

SOT108-1



**DIMENSIONS (inch dimensions are derived from the original mm dimensions)**

| UNIT   | A max. | A <sub>1</sub> | A <sub>2</sub> | A <sub>3</sub> | b <sub>p</sub> | c                | D <sup>(1)</sup> | E <sup>(1)</sup> | e     | HE             | L     | L <sub>p</sub> | Q              | v    | w    | y     | Z <sup>(1)</sup> | θ        |
|--------|--------|----------------|----------------|----------------|----------------|------------------|------------------|------------------|-------|----------------|-------|----------------|----------------|------|------|-------|------------------|----------|
| mm     | 1.75   | 0.25<br>0.10   | 1.45<br>1.25   | 0.25           | 0.49<br>0.36   | 0.25<br>0.19     | 8.75<br>8.55     | 4.0<br>3.8       | 1.27  | 6.2<br>5.8     | 1.05  | 1.0<br>0.4     | 0.7<br>0.6     | 0.25 | 0.25 | 0.1   | 0.7<br>0.3       | 8°<br>0° |
| inches | 0.069  | 0.010<br>0.004 | 0.057<br>0.049 | 0.01           | 0.019<br>0.014 | 0.0100<br>0.0075 | 0.35<br>0.34     | 0.16<br>0.15     | 0.050 | 0.244<br>0.228 | 0.041 | 0.039<br>0.016 | 0.028<br>0.024 | 0.01 | 0.01 | 0.004 | 0.028<br>0.012   |          |

**Note**

1. Plastic or metal protrusions of 0.15 mm maximum per side are not included.

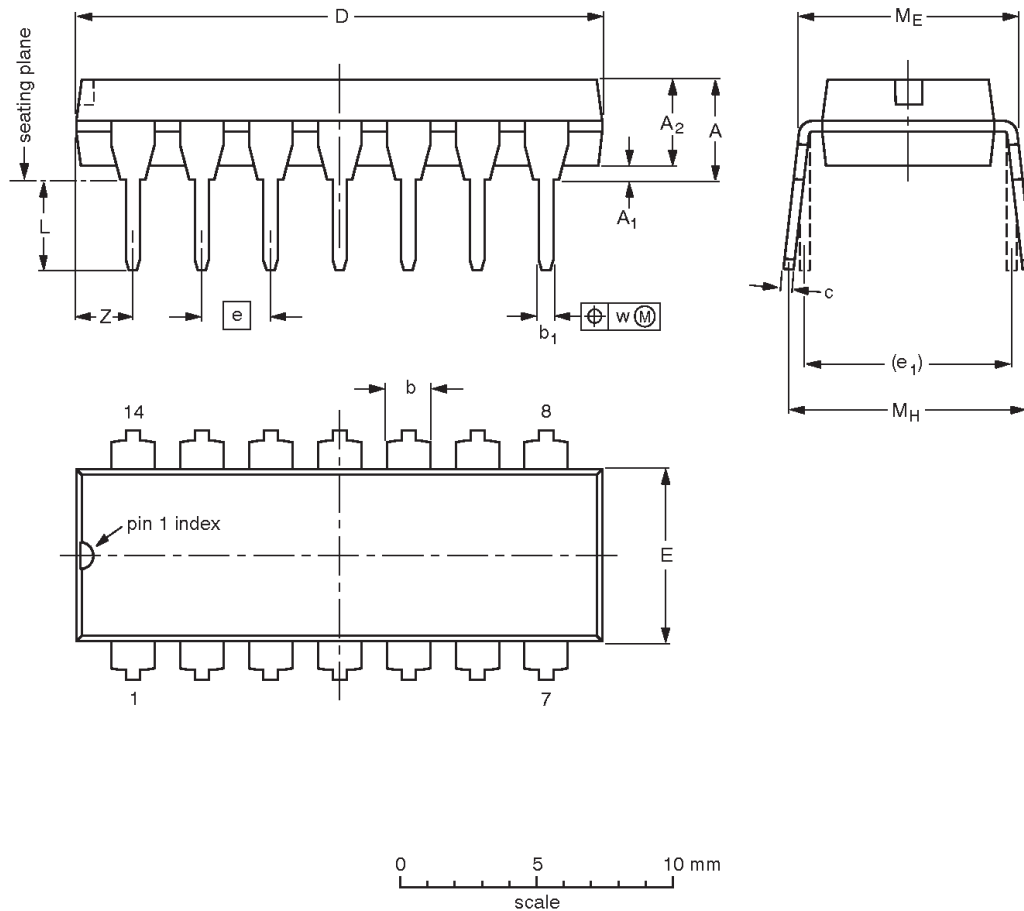
| OUTLINE VERSION | REFERENCES |        |      |  | EUROPEAN PROJECTION | ISSUE DATE           |
|-----------------|------------|--------|------|--|---------------------|----------------------|
|                 | IEC        | JEDEC  | EIAJ |  |                     |                      |
| SOT108-1        | 076E06     | MS-012 |      |  |                     | 97-05-22<br>99-12-27 |

# Matched quad high-performance low-voltage operational amplifier

NE/SA5234

DIP14: plastic dual in-line package; 14 leads (300 mil)

SOT27-1



**DIMENSIONS (inch dimensions are derived from the original mm dimensions)**

| UNIT   | A max. | A <sub>1</sub> min. | A <sub>2</sub> max. | b              | b <sub>1</sub> | c              | D <sup>(1)</sup> | E <sup>(1)</sup> | e    | e <sub>1</sub> | L            | M <sub>E</sub> | M <sub>H</sub> | w     | Z <sup>(1)</sup> max. |
|--------|--------|---------------------|---------------------|----------------|----------------|----------------|------------------|------------------|------|----------------|--------------|----------------|----------------|-------|-----------------------|
| mm     | 4.2    | 0.51                | 3.2                 | 1.73<br>1.13   | 0.53<br>0.38   | 0.36<br>0.23   | 19.50<br>18.55   | 6.48<br>6.20     | 2.54 | 7.62           | 3.60<br>3.05 | 8.25<br>7.80   | 10.0<br>8.3    | 0.254 | 2.2                   |
| inches | 0.17   | 0.020               | 0.13                | 0.068<br>0.044 | 0.021<br>0.015 | 0.014<br>0.009 | 0.77<br>0.73     | 0.26<br>0.24     | 0.10 | 0.30           | 0.14<br>0.12 | 0.32<br>0.31   | 0.39<br>0.33   | 0.01  | 0.087                 |

**Note**

1. Plastic or metal protrusions of 0.25 mm maximum per side are not included.

| OUTLINE VERSION | REFERENCES |        |           |  | EUROPEAN PROJECTION | ISSUE DATE           |
|-----------------|------------|--------|-----------|--|---------------------|----------------------|
|                 | IEC        | JEDEC  | EIAJ      |  |                     |                      |
| SOT27-1         | 050G04     | MO-001 | SC-501-14 |  |                     | 95-03-11<br>99-12-27 |

# Matched quad high-performance low-voltage operational amplifier

NE/SA5234

## Data sheet status

| Data sheet status <sup>[1]</sup> | Product status <sup>[2]</sup> | Definitions  |
|----------------------------------|-------------------------------|--|
| Objective data                   | Development                   | This data sheet contains data from the objective specification for product development. Philips Semiconductors reserves the right to change the specification in any manner without notice.  |
| Preliminary data                 | Qualification                 | This data sheet contains data from the preliminary specification. Supplementary data will be published at a later date. Philips Semiconductors reserves the right to change the specification without notice, in order to improve the design and supply the best possible product.                                     |
| Product data                     | Production                    | This data sheet contains data from the product specification. Philips Semiconductors reserves the right to make changes at any time in order to improve the design, manufacturing and supply. Changes will be communicated according to the Customer Product/Process Change Notification (CPCN) procedure SNW-SQ-650A. |

[1] Please consult the most recently issued data sheet before initiating or completing a design.

[2] The product status of the device(s) described in this data sheet may have changed since this data sheet was published. The latest information is available on the Internet at URL <http://www.semiconductors.philips.com>.

## Definitions

**Short-form specification** — The data in a short-form specification is extracted from a full data sheet with the same type number and title. For detailed information see the relevant data sheet or data handbook.

**Limiting values definition** — Limiting values given are in accordance with the Absolute Maximum Rating System (IEC 60134). Stress above one or more of the limiting values may cause permanent damage to the device. These are stress ratings only and operation of the device at these or at any other conditions above those given in the Characteristics sections of the specification is not implied. Exposure to limiting values for extended periods may affect device reliability.

**Application information** — Applications that are described herein for any of these products are for illustrative purposes only. Philips Semiconductors make no representation or warranty that such applications will be suitable for the specified use without further testing or modification.

## Disclaimers

**Life support** — These products are not designed for use in life support appliances, devices or systems where malfunction of these products can reasonably be expected to result in personal injury. Philips Semiconductors customers using or selling these products for use in such applications do so at their own risk and agree to fully indemnify Philips Semiconductors for any damages resulting from such application.

**Right to make changes** — Philips Semiconductors reserves the right to make changes, without notice, in the products, including circuits, standard cells, and/or software, described or contained herein in order to improve design and/or performance. Philips Semiconductors assumes no responsibility or liability for the use of any of these products, conveys no license or title under any patent, copyright, or mask work right to these products, and makes no representations or warranties that these products are free from patent, copyright, or mask work right infringement, unless otherwise specified.

## Contact information

For additional information please visit  
<http://www.semiconductors.philips.com>. Fax: +31 40 27 24825

© Koninklijke Philips Electronics N.V. 2002  
All rights reserved. Printed in U.S.A.

For sales offices addresses send e-mail to:  
[sales.addresses@www.semiconductors.philips.com](mailto:sales.addresses@www.semiconductors.philips.com)

Document order number:

Date of release: 03-02

9397 750 09514

*Let's make things better.*